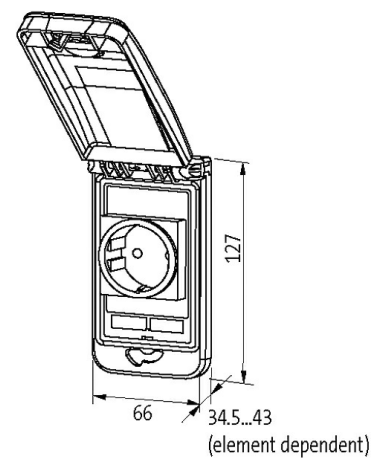


Modlink MSDD-set: Frame 4000-68512-0000001,

insert 4000-68000-3310000

Illustration



Product may differ from Image

Frame

suitable for mounting with wall thickness	1...5 mm
Protection	IP65

Housing	Frame: plastic PA black, cap: plastic PC transparent
---------	--

Temperature range	-30...+70 °C (storage temperature -30...+80 °C)
-------------------	---

Commercial data

country of origin	DE
-------------------	----

customs tariff number	85366990
-----------------------	----------

EAN	4048879476867
-----	---------------

eClass	27189217
--------	----------

Packaging unit	1
----------------	---